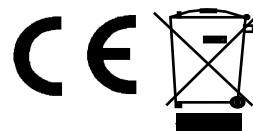


S.M. Services (UK) Ltd

18 Orchard Way, Cranfield, Beds. MK43 0HU. Tel 01234 751095

Powersave (Split Supply)



Specifications

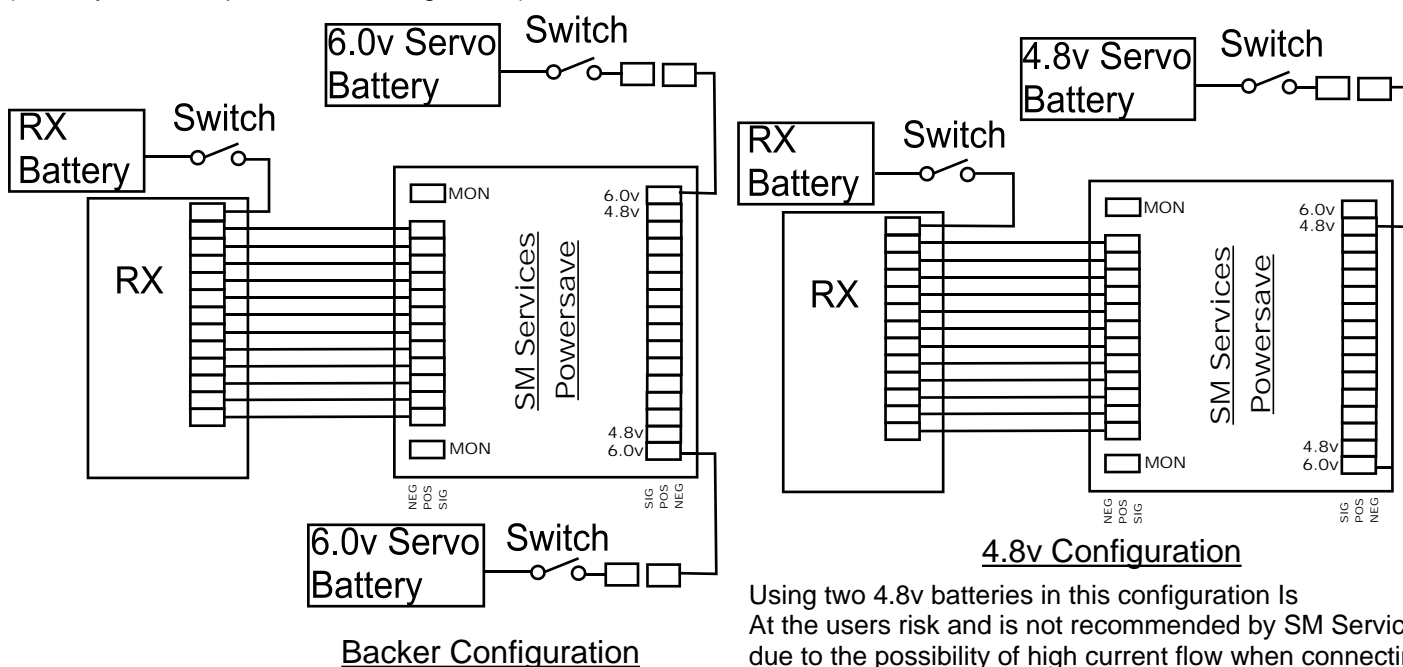
Size.	57mm x 38mm x 20mm
Construction.	Boxed
Connections.	Via universal plug leads to RX, Pin block to servo's and battery inputs.
Operating Voltage.	Servo 4 cell direct or 5 cell battery backed 6 amp per input.

Description.

The Powersave is designed to remove the need for the current drawn by all servo's from passing through the receiver . Please note that this unit is not optically isolated.

This unit requires the use of separate batteries for the RX and servo supplies, the RX supply should be as specified by the equipment manufacturer however the servo supply can be either 4.8v direct or 6.0v battery backed (please check that the servo's to be used are able to handle the higher voltage ie 5 cells minus 0.7 v diode drop).

The unit has twelve short fly leads fitted with universal plugs for connection to the receiver and twelve standard pin block connectors for connection to the servo's. Power for the servo's is supplied via either the 4,8v direct connection or the two 6,0v battery backer inputs. Battery monitor connections are available for use in backer configuration (use any servo output for 4.8v configuration).



If Y leads are required in the model they should be fitted between the RX and the Powersave unit using spare Powersave channels whenever possible.

Standard receiver wiring connections.

Lead function	Futaba	JR/New Sanwa	Hitec	Sanwa (old)
Positive = +	Red	Red	Red	3
Negative = -	Black	Brown	Brown	2
Signal	White	Orange	Yellow	1

Please refer to your equipment instructions for wiring codes if they are not listed.

WARNING

1. Do **NOT** reverse positive and negative wires. (Red and Black)
2. **ALWAYS** remove power from the unit before connecting or disconnecting any input or output connection, Failure to observe this instruction can damage both the unit or the equipment it is connected to.
3. **ALWAYS** range check when adding to or changing the control system of a model.
4. S.M. Services (UK) Ltd products are tested for use on the UK 35 Mhz aircraft frequency, use on other frequencies should not be a problem, however use on frequencies other than 35 Mhz is at the user's risk.

If you have any questions or problems with this product please contact us, we are here to help you.

Your Guarantee

S.M. Services (UK) Ltd guarantee all products for 1 year from date of purchase. During this time S.M. Services (UK) Ltd will repair or replace all defective products free of charge, except for Units subject to fair wear and tear, or units that are subject to crash damage. To qualify for benefits under the guarantee you must have installed and used the product in accordance with S.M. Services (UK) Ltd instructions. Consequential losses and accidental damage to the product are not covered by the guarantee. S.M. Services (UK) Ltd cannot be held responsible for results of using our products for any purpose other than those described in the relevant instructions.

Returns

Any returned products ordered in error or are not required will if returned unopened in original product packaging within 28 days from date of purchase be subject to a full refund less shipping charges and a 5% handling charge. All other returns will be subject to a full refund less shipping charges and a 20% handling charge.